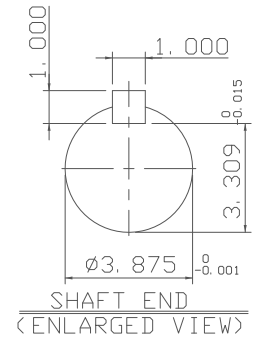
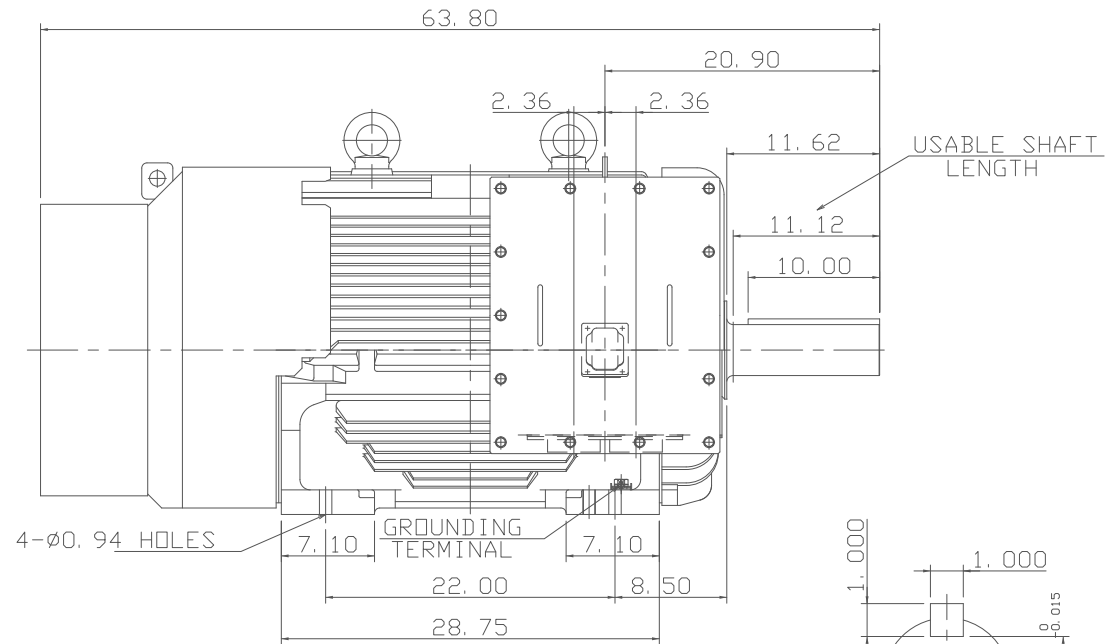
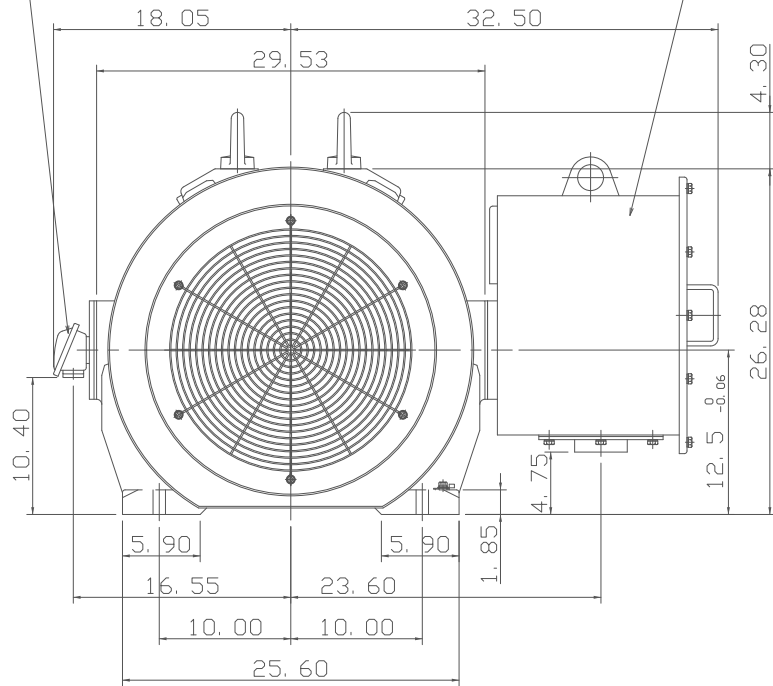


TYPE	OUTPUT		POLE	TIME RATING	VOLTAGE V	Hz	SYN. SPEED R. P. M
	HP.	kW.					
AEHH-GD	300	223.8	4	CONT.	460	60	1800

THERMISTOR T-BOX (NPT0.75')

TOTALLY ENCLOSED FAN-COOLED TYPE, SQUIRREL-CAGE ROTOR
PRIMARY T-BOX (2-NPT3')



NOTE:

1. DIMENSIONS IN inch
2. FRAME NO.5007C
3. F CLASS INSULATION, S. F. 1.15
4. FOR BELT DRIVE
5. ENCLOSURE: IP55
6. BEARING SIZE: DRIVE-END NU324C3
OPP. DRIVE-END 6320
7. NON-SPARKING FAN
8. WITH THERMISTOR: PTC 140°C 3PCS
9. MOTOR APPROX. WEIGHT: 3300lb

DATE			OUTLINE DIMENSIONS	
FEB. 01, 2018			3-PHASE INDUCTION MOTOR	
CATALOG NO. : CDP3004R			DWG NO. REV: 02	
TEC Westinghouse			4B040T879 1/1	

DWN.	J. WANG	MAR·09·2017
CHKD.	H. HUANG	MAR·09·2017
APPD.	C. LIU	MAR·09·2017